

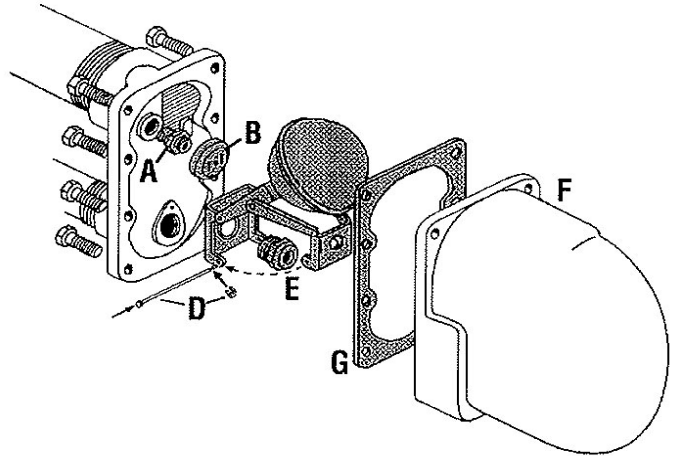
Installation Instructions

CFT Series Float & Thermostatic Steam Trap Repair Kit Modules

Installation

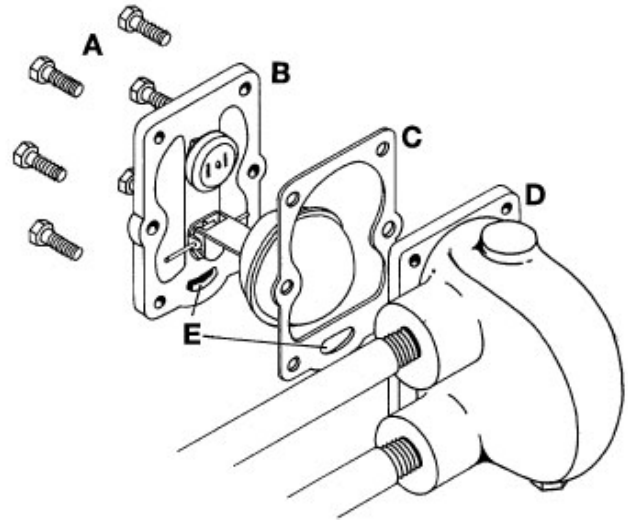
For 1-1/4" CFT-075, 1-1/4" CFT-125 and all 1-1/2" and 2":

1. Close supply and return side valves and let steam trap cool.
2. Remove bolts, wire brush clean if needed, and put aside. Remove trap body, leaving trap cover attached to system piping. Remove and discard cover gasket, make sure that the body and cover flange are clean and all remnants of old gasket are scraped off. Clean out any debris /sludge from inside trap body.
3. Remove thermostatic vent and vent seat, discard. Install new thermostatic vent seat (A) and make wrench tight (Approx. 25ft.-lbs.) Place thermostatic capsule (B) and snap-on to vent seat by pushing the middle back of capsule with thumb
4. Refer to above drawing (D & E) and remove old condensate valve assembly, float & linkage. Replace same and torque condensate valve seat to 25ft.-lbs.
5. Reinstall body (F) using new cover gasket (G) and torque bolts to 25-40 ft.-lbs.
6. Slowly open supply valve, then slowly open return side valve. Check and re-torque bolts after trap is at operating pressure.



For 1-1/4" CFT-015, 1-1/4" CFT-030 and all 3/4" and 1":

1. Close supply and return side valves and let steam trap cool
2. Remove bolts (A) wire brush clean if needed, and put aside
3. Remove existing cover assembly and discard. Remove old cover gasket and discard. Make sure that the body flange is clean and all remnants of the old gasket are scraped off. Trap body (D) stays attached to the system piping. Clean out any sludge/debris from inside the trap body.
4. Install new cover assembly (B) with new cover gasket (C), making sure port (E) lines up with similar port in the gasket and trap body. Re-install original bolts and torque between 25-40 ft.-lbs.
5. Slowly open supply valves, then slowly open return side valve. Check and re-torque bolts after the trap is at operating temperature.



COLTON "CFT" REPAIR KITS FIT THE FOLLOWING SPIRAX/SARCO & SARCO FLOAT TRAPS:

3/4" FT-15	3/4" F-15	3/4" FT-30	3/4" F-30	3/4" FT-75	3/4" F-75	3/4" FT-125	3/4" F-125
1" FT-15	1" F-15	1" FT-30	1" F-30	1" FT-75	1" F-75	1" FT-125	1" F-125
1-1/4" FT-15		1-1/4" FT-30		1-1/4" FT-75		1-1/4" FT-125	
1-1/2" FT-15		1-1/2" FT-30		1-1/2" FT-75		1-1/2" FT-125	
2" FT-15		2" FT-30		2" FT-75		2" FT-125	